



Dual Sensor, Battery Operated Smoke Alarm

• **PI9000** • **Item Number 442007**

Dual Sensor

Contains both a photoelectric and ionization sensors providing the best protection in your home.

Hush® Feature

Temporarily silences nuisance alarms.

Red LED

Flashes every 30-40 seconds to indicate that the smoke alarm is operating properly.

Test/Reset Button

Tests unit's electronic circuitry and horn.



Description

The Kidde PI9000 is a 9V battery powered smoke alarm. Both photoelectric and ionization sensors are built into to alarm providing the best overall protection. This smoke alarm functions as a single unit smoke alarm and features Hush®, allowing you to quickly silence nuisance alarms. The PI9000 is easy to install, no wiring is required.

Consumer Benefits

The Kidde PI9000, 9V battery powered smoke alarms provides continuous protection against smoke and fire hazards even during power outages. The dual ionization and photoelectric sensors offer the best protection against both fast flaming and slow smoldering fires. The PI9000 also includes flashing LEDs to signal the alarm is functioning properly, a low battery warning and a loud 85dB alarm. The Kidde PI9000 is UL listed and offers a 5-year limited warranty.

Features and Benefits

- **Ionization Sensor** – Protects best against fast flaming fires.
- **Photoelectric Sensor** – Protects best against slow smoldering fires.
- **Battery Operated (9V battery included)** – Provides continuous protection even during power outages.
- **Tamper Resistant** – Deters from tampering or theft.
- **Hush® Feature** – Temporarily silences nuisance alarms.
- **Red LED** – Flashes every 30-40 seconds to indicate that the smoke alarm is operating properly.
- **Test/Reset Button** – Tests smoke alarm circuitry and horn.



Architectural and Engineering Specifications

The smoke alarm shall be Kidde Unit PI9000 or approved equal. It shall be powered by a 9V battery. The unit shall incorporate both an ionization smoke sensor and a photo-electric smoke sensor with a nominal alarm sensitivity of 1.99%/ft. The temperature operating range shall be between 40°F and 100°F (4°C and 38°C) and the humidity operating range shall be 5% - 95% relative humidity.

The alarm can be installed on the surface of any wall or ceiling following the UL/NFPA/Manufacturer's recommended placement guidelines. The unit shall provide optional tamper resistance that deters removal of the unit from the wall or ceiling.

The alarm shall include a test button that will electronically simulate the presence of smoke and cause the unit to go into alarm. This sequence tests the unit's electronics, battery and horn to ensure proper operation.

The unit shall include a piezoelectric horn that is rated at 85 decibels at 10 feet. In a smoke incident, the horn will sound in the repetitive manner – three (3) beeps, a pause, three (3) beeps, a pause.

The unit shall include the Hush® feature that silences the unit. By pressing the Hush® button, it will desensitize the unit for approximately 7 minutes if a nuisance condition occurs. The alarm will chirp every 30-40 seconds during this time and will automatically reset after approximately 7 minutes and sound the alarm if particles of combustion are still present. The Hush® feature shall be overridden and the unit will alarm if the smoke is too dense.

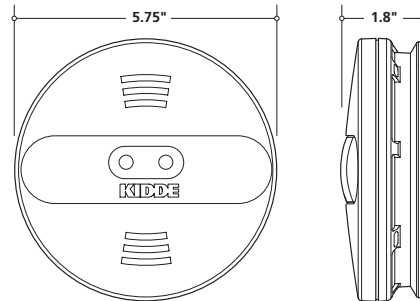
The unit shall also include a low battery warning utilizing a brief alarm chirp every 30-40 seconds for a minimum of seven (7) days.

The alarm will utilize a red LED that shall flash once every 30-40 seconds to indicate the alarm is receiving power.

The unit shall at a minimum meet the requirements of UL2034, UL217, NFPA72, (chapter 11, 2002 edition) The State of California Fire Marshall, NFPA101 (One and two family dwellings) Federal Housing Authority (FHA), Housing and Urban Development (HUD). It shall also include a 5-year manufacturer's limited warranty.

Technical Specifications

Unit Number:	PI9000
Item Number:	442007
UPC Number:	0-47871-42007-0
Power Source:	9V Battery
Sensor:	Dual Ionization and Photoelectric
Audio Alarm:	85dB at 10ft
Temperature Range:	40°F (4.4°C) to 100°F (37.8°C)
Humidity Range:	5%-95% relative humidity (RH)
Size:	5.75" in diameter x 1.8" depth
Weight:	1lb
Interconnects:	No
LED:	Red, normal operation
Warranty:	5 year limited



Ordering Information

UPC: 0-47871-42007-0

Part Number	I 2 of 5	Pack Quantity	Dimensions (w x d x h inches)	Weight	Case/Skid	Layers/Skid	Skid Weight
442007**	N/A	Individual	7.25 x 1.75 x 11	1lb	N/A	N/A	N/A
442007-02	100 47871 42007 7	Master Pack (3 units)	8 x 6.25 x 12	3.4lbs	105	3	475lbs
442007-16	200 47871 42007 4	Cut Case (20 units)	24 x 16 x 12	21lbs	3	3	75lbs

**Not for sale by individual unit



1394 South Third Street, Mebane NC 27302
1-800-880-6788 • www.kiddeus.com

Distributed by: